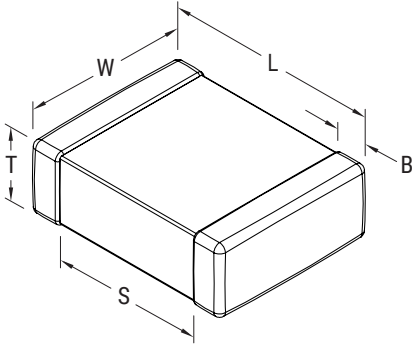


Sample Kit Contents

| KEMET Part Number | Case Size | Capacitance | Cap Tolerance | Rated Voltage | T Thickness | Dielectric | Quantity |
|-------------------|------------|-------------|---------------|---------------|-------------|------------|----------|
| | EIA/Metric | | % | VDC | mm | | |
| C0603C100J5GACTU | 0603/1608 | 10 pF | ±5 | 50 | 0.80 ±0.07 | COG | 50 |
| C0603C100J1GACTU | 0603/1608 | 10 pF | ±5 | 100 | 0.80 ±0.07 | COG | 50 |
| C0603C220J5GACTU | 0603/1608 | 22 pF | ±5 | 50 | 0.80 ±0.07 | COG | 50 |
| C0603C121J5GACTU | 0603/1608 | 120 pF | ±5 | 50 | 0.80 ±0.07 | COG | 50 |
| C0603C181J5GACTU | 0603/1608 | 180 pF | ±5 | 50 | 0.80 ±0.07 | COG | 50 |
| C0603C271J5GACTU | 0603/1608 | 270 pF | ±5 | 50 | 0.80 ±0.07 | COG | 50 |
| C0603C102J3GACTU | 0603/1608 | 1000 pF | ±5 | 25 | 0.80 ±0.07 | COG | 50 |
| C0603C102J5GACTU | 0603/1608 | 1000 pF | ±5 | 50 | 0.80 ±0.07 | COG | 50 |
| C0603C103G8GACTU | 0603/1608 | 10000 pF | ±2 | 10 | 0.80 ±0.07 | COG | 50 |
| C0603C103J3GACTU | 0603/1608 | 10000 pF | ±5 | 25 | 0.80 ±0.07 | COG | 50 |
| C0603C181K5RACTU | 0603/1608 | 180 pF | ±10 | 50 | 0.80 ±0.07 | X7R | 50 |
| C0603C102K5RACTU | 0603/1608 | 1000 pF | ±10 | 50 | 0.80 ±0.07 | X7R | 50 |
| C0603C102K1RACTU | 0603/1608 | 1000 pF | ±10 | 100 | 0.80 ±0.07 | X7R | 50 |
| C0603C103K5RACTU | 0603/1608 | 10000 pF | ±10 | 50 | 0.80 ±0.07 | X7R | 50 |
| C0603C683K4RACTU | 0603/1608 | 68000 pF | ±10 | 16 | 0.80 ±0.07 | X7R | 50 |
| C0603C104K3RACTU | 0603/1608 | 0.10 µF | ±10 | 25 | 0.80 ±0.07 | X7R | 50 |
| C0603C104K5RACTU | 0603/1608 | 0.10 µF | ±10 | 50 | 0.80 ±0.07 | X7R | 50 |
| C0603C224K4RACTU | 0603/1608 | 0.22 µF | ±10 | 16 | 0.80 ±0.07 | X7R | 50 |
| C0603C474K4RACTU | 0603/1608 | 0.47 µF | ±10 | 16 | 0.80 ±0.07 | X7R | 50 |
| C0603C105K4RACTU | 0603/1608 | 1.0 µF | ±10 | 16 | 0.80 ±0.10 | X7R | 50 |
| C0603C104K3PACTU | 0603/1608 | 0.10 µF | ±10 | 25 | 0.80 ±0.10 | X5R | 50 |
| C0603C474K8PACTU | 0603/1608 | 0.47 µF | ±10 | 10 | 0.80 ±0.10 | X5R | 50 |
| C0603C474K4PACTU | 0603/1608 | 0.47 µF | ±10 | 16 | 0.80 ±0.10 | X5R | 50 |
| C0603C105K9PACTU | 0603/1608 | 1.0 µF | ±10 | 6.3 | 0.80 ±0.10 | X5R | 50 |
| C0603C105K4PACTU | 0603/1608 | 1.0 µF | ±10 | 16 | 0.80 ±0.10 | X5R | 50 |
| C0603C225K9PACTU | 0603/1608 | 2.2 µF | ±10 | 6.3 | 0.80 ±0.10 | X5R | 50 |
| C0603C225M8PACTU | 0603/1608 | 2.2 µF | ±20 | 10 | 0.80 ±0.10 | X5R | 50 |
| C0603C225K4PACTU | 0603/1608 | 2.2 µF | ±10 | 16 | 0.80 ±0.10 | X5R | 50 |
| C0603C335M9PACTU | 0603/1608 | 3.3 µF | ±20 | 6.3 | 0.80 ±0.10 | X5R | 50 |
| C0603C106M9PACTU | 0603/1608 | 10 µF | ±20 | 6.3 | 0.80 ±0.10 | X5R | 50 |

Dimensions – Millimeters (Inches)



| Case Size (in.) | Case Size (mm) | L Length | W Width | T Thickness | B Bandwidth | S Separation Minimum | Mounting Technique |
|-----------------|----------------|-------------------------------|-------------------------------|-----------------|-------------------------------|----------------------|------------------------------|
| 0603 | 1608 | 1.60 (0.063) ±0.15 (0.006) | 0.80 (0.032) ±0.15 (0.006) | See Table Above | 0.35 (0.014) ±0.15 (0.006) | 0.70 (0.028) | Solder Wave or Solder Reflow |